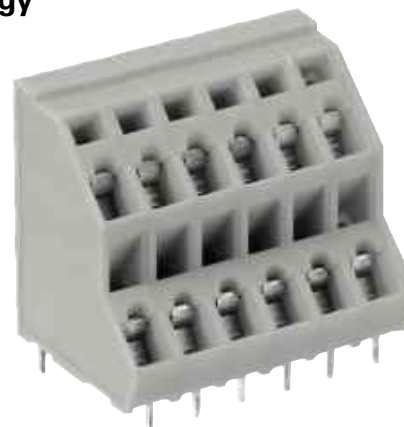


**wiecon Type 8291 EFK**

**Two-tier PC board terminal in spring clamp technology**

**Characteristics**

- Conductors connected using spring clamp technology
- Two connection tiers
- For solid and fine-stranded wires
- Identical (TOP) direction for operation and connection
- Large clamping body
- 4 - 48 pole designs
- Frameless construction
- 5.08 mm spacing
- Color pebble gray (similar to RAL 7032)



**Advantages**

- Time-saving wiring
- High packing density
- Vibration-proof
- High conductor pull-out forces
- No special tools required

CUSTOMER INFORMATION

Description	
<b>wiecon</b> Type 8191 EFK	
PC board terminal in spring clamp technology	
Frameless construction	
Spacing	5.08 mm
Number of poles	4 - 48 (others on request)
Rated current	12 A
Rated voltage	250 V (DIN EN 60664-1) 300 V (UL, CSA)
Rated peak voltage	4 kV
Wire range	0.08 - 2.5 mm <sup>2</sup>
AWG wire range	28 - 12
Degree of pollution	3
Material	PA 66
Temperature range	- 40°C - + 100°C
Flammability according to UL 94	V0
Conductor	
- Insulation strip length	5 - 6 mm
Conductor pull-out forces	According to EN
Approvals	UL, CSA



Headquarters:  
Wieland Electric GmbH  
Brennerstraße 10-14  
D-96052 Bamberg

Sales and Marketing Center:  
Wieland Electric GmbH  
Benzstraße 9  
D-96052 Bamberg

Phone (0951) 93 24-0  
Fax (0951) 93 24-198  
www.wieland-electric.com  
www.gesis.com  
info@wieland-electric.com

### AT Wieland

Components and system components for the control cabinet

- DIN rail terminal blocks
  - with screw connection
  - with spring clamp connection
  - with IDC connection
- Safety
  - Safety relays
  - Modular safety systems
- Fieldbus components
- Interface
  - Power supplies
  - Overvoltage protection
  - Measuring and monitoring relays
  - Time and switching relays
  - Coupling relays/solid state relays
  - Analog modules
  - Passive interfaces

Components and system components for field applications

- Remote automation
  - Remote power distribution
  - Remote fieldbus interface
- Industrial multipole connectors
  - Modular multipole connectors
  - High-density multipole connectors
  - High-current multipole connectors
  - Multipole connectors for hazardous areas
  - Bushings for control cabinets
  - D-Sub connectors
- Round connectors

Empty housings and appliance connectors/terminal strips

### AT Schleicher

- PLC systems and CNC based control systems
- Operator panels
- Application engineering & system solutions
- Customized products

### BIT Wieland

- Building installation systems
  - Mains connectors IP20/IP65...IP68
  - Bus connectors
  - Combined connectors
  - Low-voltage connectors
  - Flexible flat cable systems
  - Distribution systems
  - Switching devices for EIB/KNX, LON, Ethernet, radio control
  - DIN rail terminal blocks for electrical installations
  - Overvoltage protection

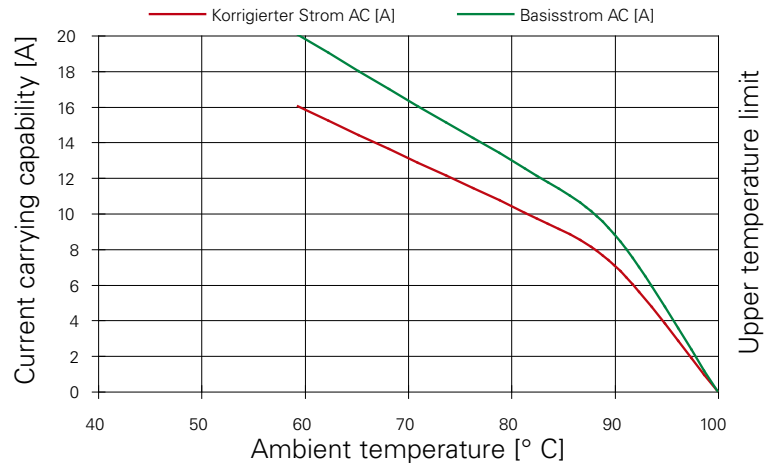
### PCB connectors Wieland

- PC board terminals/PC board connectors
  - with screw connection
  - with spring clamp connection
  - with TOP connection

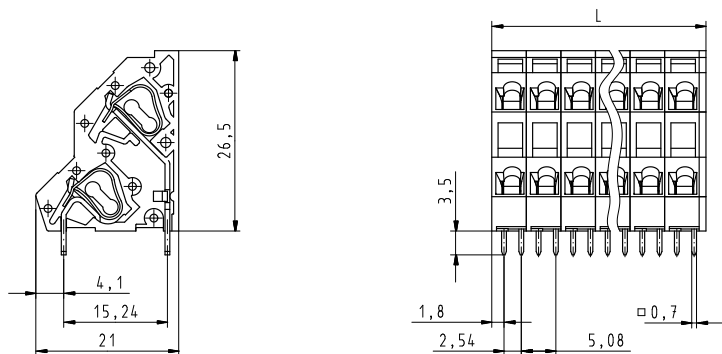
## Technical information

### Derating

Derating curve according to DIN EN 60512 sect. 3  
8291 EFK; 2.5 mm<sup>2</sup> conductor, fine-stranded



### Dimensions



Poles	G [mm]
20	51.8

Type	Part No.	Type	Part no.
8291EFK/2/4 OB	27.008.3253.0	8291EFK/14/28 OB	27.008.4453.0
8291EFK/3/6 OB	27.008.3353.0	8291EFK/15/30 OB	27.008.4553.0
8291EFK/4/8 OB	27.008.3453.0	8291EFK/16/32 OB	27.008.4653.0
8291EFK/5/10 OB	27.008.3553.0	8291EFK/17/34 OB	27.008.4753.0
8291EFK/6/12 OB	27.008.3653.0	8291EFK/18/36 OB	27.008.4853.0
8291EFK/7/14 OB	27.008.3753.0	8291EFK/19/38 OB	27.008.4953.0
8291EFK/8/16 OB	27.008.3853.0	8291EFK/20/40 OB	27.008.5053.0
8291EFK/9/18 OB	27.008.3953.0	8291EFK/21/42 OB	27.008.5153.0
8291EFK/10/20 OB	27.008.4053.0	8291EFK/22/44 OB	27.008.5253.0
8291EFK/11/22 OB	27.008.4153.0	8291EFK/23/46 OB	27.008.5353.0
8291EFK/12/24 OB	27.008.4253.0	8291EFK/24/48 OB	27.008.5453.0
8291EFK/13/26 OB	27.008.4353.0		